

80*80*25mm

12 ~ 20 CFM



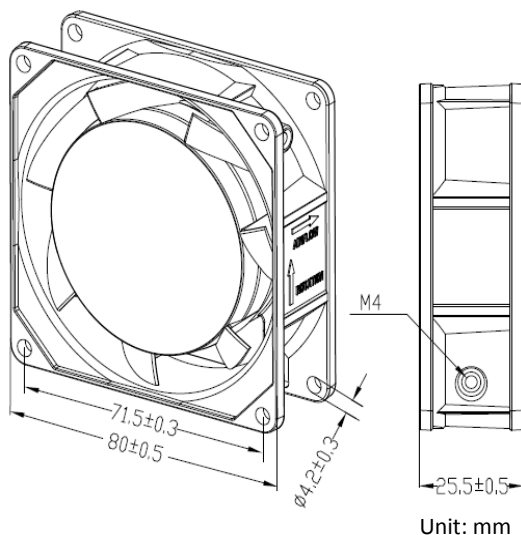
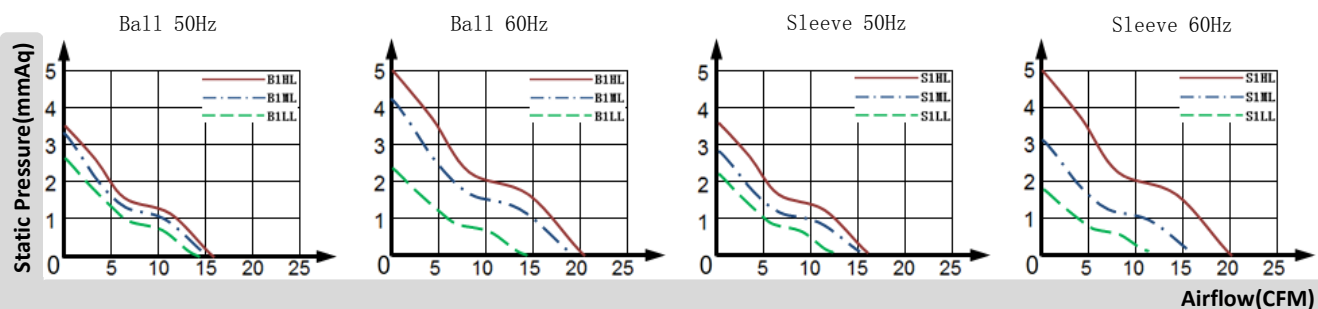
Specifications

Model	Bearing	Voltage	Frequency	Current	Power	Speed	Air Flow		Static Pressure	Noise
		VAC	Hz	A	W	RPM	CFM	m ³ /min	mm H ₂ O	dB-A
8025B1HL	Ball	115	50/60	0.18/0.14	15.5/12.3	2600/3100	16/20	0.45/0.57	3.5/5.0	33/36
8025B1ML	Ball	115	50/60	0.06/0.05	5.3/4.3	2500/2750	15/18	0.42/0.51	3.3/4.1	32/33
8025B1LL	Ball	115	50/60	0.04/0.04	4/3.6	2150/2100	14/14	0.40/0.40	2.6/2.3	28/27
8025S1HL	Sleeve	115	50/60	0.17/0.14	15.5/12.2	2500/3000	16/20	0.45/0.57	3.5/5.0	33/35
8025S1ML	Sleeve	115	50/60	0.06/0.05	5.2/4.4	2300/2400	15/16	0.42/0.45	2.8/3.1	30/31
8025S1LL	Sleeve	115	50/60	0.05/0.04	4/3.5	2100/1950	13/12	0.34/0.33	2.2/1.8	28/25

All model could be customized. Please contact with YYC Sales.
 Specifications are subject to change without notice.

Safety: UL/TUV/CE/CCC

Air Flow-Static Pressure Characteristics



- Frame: Aluminum alloy
- Impeller: PBT Plastic
- Protected: Impedance protected
- Connection: Lead Wire
- Ball Bearing: -20 °C to +70 °C
- Sleeve Bearing: -10 °C to +70 °C
- Package: 50PCS/CTN