

80*80*38mm

16 ~ 25 CFM



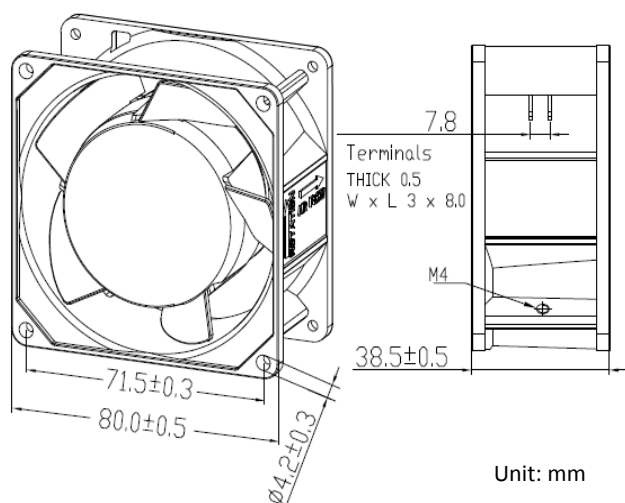
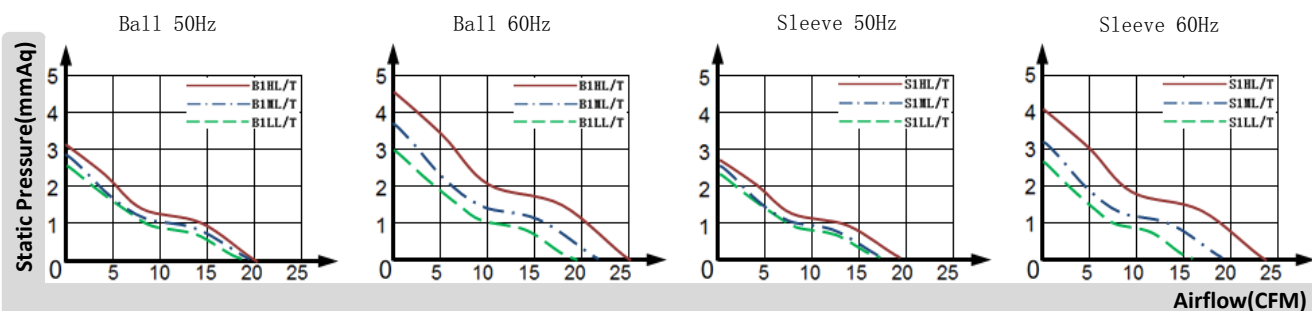
Specifications

Model	Bearing	Voltage	Frequency	Current	Power	Speed	Air Flow		Static Pressure	Noise
		VAC	Hz	A	W	RPM	CFM	m ³ /min	mm H ₂ O	dB-A
8038B1HL	Ball	115	50/60	0.20/0.15	14/9.8	2350/2850	20/25	0.57/0.71	3.0/4.6	34/37
8038B1HT	Ball	115	50/60	0.20/0.15	14/9.8	2350/2850	20/25	0.57/0.71	3.0/4.6	34/37
8038B1ML	Ball	115	50/60	0.09/0.07	6.1/4.8	2300/2550	19/22	0.54/0.63	2.8/3.7	33/35
8038B1MT	Ball	115	50/60	0.09/0.07	6.1/4.8	2300/2550	19/22	0.54/0.63	2.8/3.7	33/35
8038B1LL	Ball	115	50/60	0.07/0.05	5/4	2250/2350	18/19	0.51/0.54	2.6/3.0	32/33
8038B1LT	Ball	115	50/60	0.07/0.05	5/4	2250/2350	18/19	0.51/0.54	2.6/3.0	32/33
8038S1HL	Sleeve	115	50/60	0.20/0.15	14/9.8	2300/2750	19/24	0.54/0.68	2.7/4.1	33/36
8038S1HT	Sleeve	115	50/60	0.20/0.15	14/9.8	2300/2750	19/24	0.54/0.68	2.7/4.1	33/36
8038S1ML	Sleeve	115	50/60	0.09/0.07	6.4/5.2	2150/2250	17/18	0.48/0.51	2.5/3.2	30/32
8038S1MT	Sleeve	115	50/60	0.09/0.07	6.4/5.2	2150/2250	17/18	0.48/0.51	2.5/3.2	30/32
8038S1LL	Sleeve	115	50/60	0.07/0.05	4.8/4	2150/2100	17/16	0.48/0.45	2.3/2.7	30/29
8038S1LT	Sleeve	115	50/60	0.07/0.05	4.8/4	2150/2100	17/16	0.48/0.45	2.3/2.7	30/29

All model could be customized. Please contact with YYC Sales.
 Specifications are subject to change without notice.

Safety: UL/TUV/CE/CCC

Air Flow-Static Pressure Characteristics



- Frame: Aluminum alloy
- Impeller: PBT Plastic
- Protected: Impedance protected
- Connection: Lead Wire or Terminals
- Ball Bearing: -20 °C to +70 °C
- Sleeve Bearing: -10 °C to +70 °C
- Package: 50PCS/CTN