

92*92*38mm

30 ~ 46 CFM



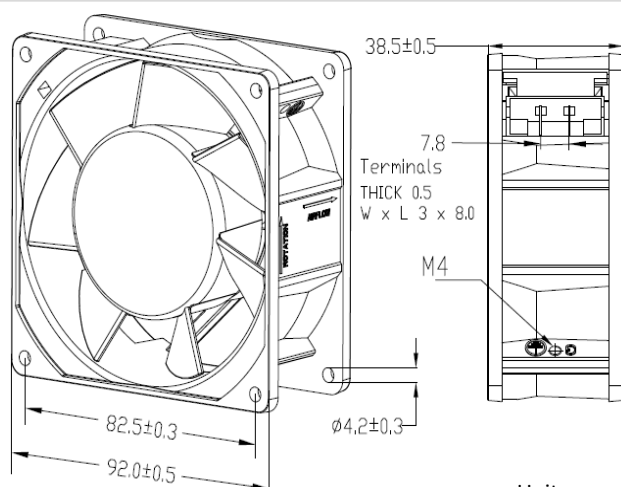
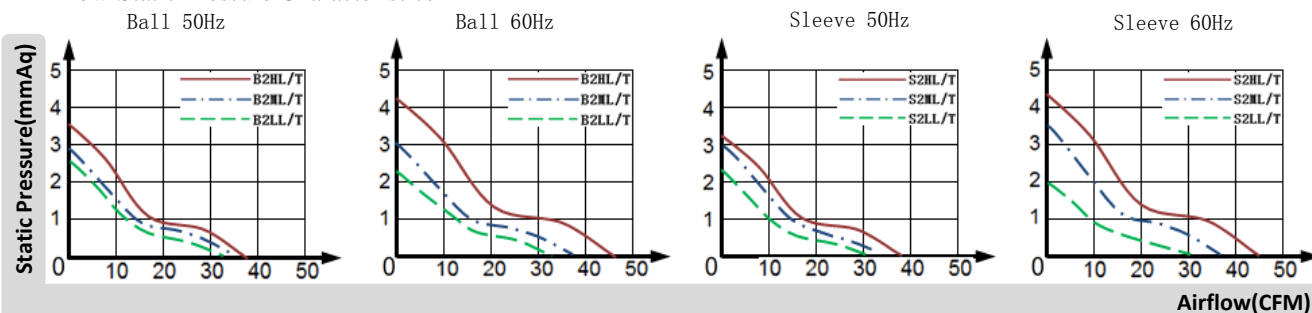
Specifications

Model	Bearing	Voltage	Frequency	Current	Power	Speed	Air Flow		Static Pressure	Noise
		VAC	Hz	A	W	RPM	CFM	m ³ /min	mm H ₂ O	dB-A
9238B1HL	Ball	115	50/60	0.16/0.12	11/8	2350/2700	38/46	1.08/1.30	3.5/4.2	34/37
9238B1HT	Ball	115	50/60	0.16/0.12	11/8	2350/2700	38/46	1.08/1.30	3.5/4.2	34/37
9238B1ML	Ball	115	50/60	0.09/0.07	6.5/5.3	2200/2300	35/37	1.00/1.05	2.9/3.0	32/33
9238B1MT	Ball	115	50/60	0.09/0.07	6.5/5.3	2200/2300	35/37	1.00/1.05	2.9/3.0	32/33
9238B1LL	Ball	115	50/60	0.07/0.06	5.2/4.3	2100/2050	33/33	0.93/0.93	2.6/2.2	30/29
9238B1LT	Ball	115	50/60	0.07/0.06	5.2/4.3	2100/2050	33/33	0.93/0.93	2.6/2.2	30/29
9238S1HL	Sleeve	115	50/60	0.18/0.12	14/10	2200/2700	37/46	1.05/1.30	3.2/4.3	32/37
9238S1HT	Sleeve	115	50/60	0.18/0.12	14/10	2200/2700	37/46	1.05/1.30	3.2/4.3	32/37
9238S1ML	Sleeve	115	50/60	0.14/0.10	9/7	2050/2300	32/37	0.91/1.05	3.0/3.5	29/33
9238S1MT	Sleeve	115	50/60	0.14/0.10	9/7	2050/2300	32/37	0.91/1.05	3.0/3.5	29/33
9238S1LL	Sleeve	115	50/60	0.09/0.08	6.7/5.5	1950/1900	31/30	0.88/0.85	2.3/2.0	28/27
9238S1LT	Sleeve	115	50/60	0.09/0.08	6.7/5.5	1950/1900	31/30	0.88/0.85	2.3/2.0	28/27

All model could be customized. Please contact with YYC Sales.
 Specifications are subject to change without notice.

Safety: UL/TUV/CE/CCC

Air Flow-Static Pressure Characteristics



Unit: mm

- Frame: Aluminum alloy
- Impeller: PBT Plastic
- Protected: Impedance protected
- Connection: Lead Wire or Terminals
- Ball Bearing: -20 °C to +70 °C
- Sleeve Bearing: -10 °C to +70 °C
- Package: 50PCS/CTN