

92*92*38mm

30 ~ 48 CFM



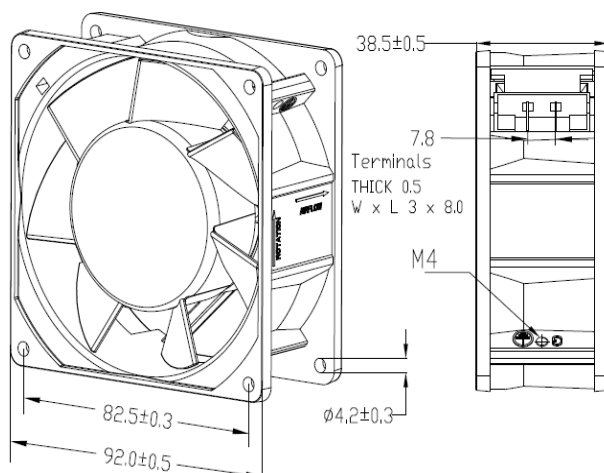
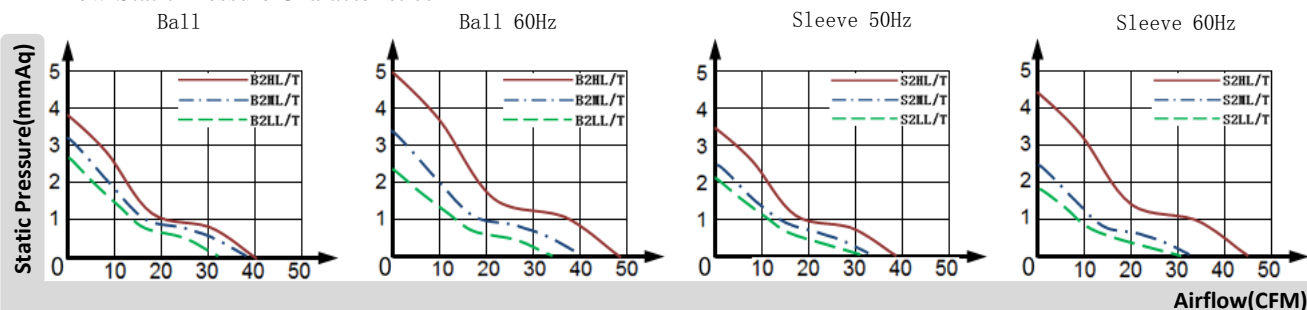
Specifications

Model	Bearing	Voltage	Frequency	Current	Power	Speed	Air Flow		Static Pressure	Noise
		VAC	Hz	A	W	RPM	CFM	m ³ /min	mm H ₂ O	dB-A
9238B2HL	Ball	220-240	50/60	0.10/0.07	14/10	2400/2800	40/48	1.13/1.36	3.8/5.0	35/38
9238B2HT	Ball	220-240	50/60	0.10/0.07	14/10	2400/2800	40/48	1.13/1.36	3.8/5.0	35/38
9238B2ML	Ball	220-240	50/60	0.05/0.04	7.5/6	2200/2350	38/40	1.08/1.13	3.2/3.3	33/35
9238B2MT	Ball	220-240	50/60	0.05/0.04	7.5/6	2200/2350	38/40	1.08/1.13	3.2/3.3	33/35
9238B2LL	Ball	220-240	50/60	0.04/0.04	6.5/5.5	2050/2100	33/34	0.93/0.96	2.7/2.3	29/30
9238B2LT	Ball	220-240	50/60	0.04/0.04	6.5/5.5	2050/2100	33/34	0.93/0.96	2.7/2.3	29/30
9238S2HL	Sleeve	220-240	50/60	0.10/0.07	14/10	2250/2650	38/45	1.08/1.27	3.5/4.4	33/37
9238S2HT	Sleeve	220-240	50/60	0.10/0.07	14/10	2250/2650	38/45	1.08/1.27	3.5/4.4	33/37
9238S2ML	Sleeve	220-240	50/60	0.05/0.04	7.5/6	2000/2000	33/33	0.93/0.93	2.4/2.4	29/29
9238S2MT	Sleeve	220-240	50/60	0.05/0.04	7.5/6	2000/2000	33/33	0.93/0.93	2.4/2.4	29/29
9238S2LL	Sleeve	220-240	50/60	0.04/0.04	6.5/5.5	1900/1800	32/30	0.90/0.85	2.1/1.8	28/27
9238S2LT	Sleeve	220-240	50/60	0.04/0.04	6.5/5.5	1900/1800	32/30	0.90/0.85	2.1/1.8	28/27

All model could be customized. Please contact with YYC Sales. Specifications are subject to change without notice.

Safety: UL/TUV/CE/CCC

Air Flow-Static Pressure Characteristics



Unit: mm

- Frame: Aluminum alloy
- Impeller: PBT Plastic
- Protected: Impedance protected
- Connection: Lead Wire or Terminals
- Ball Bearing: -20 °C to +70 °C
- Sleeve Bearing: -10 °C to +70 °C
- Package: 50PCS/CTN