

110\*110\*25mm

38 ~ 51 CFM



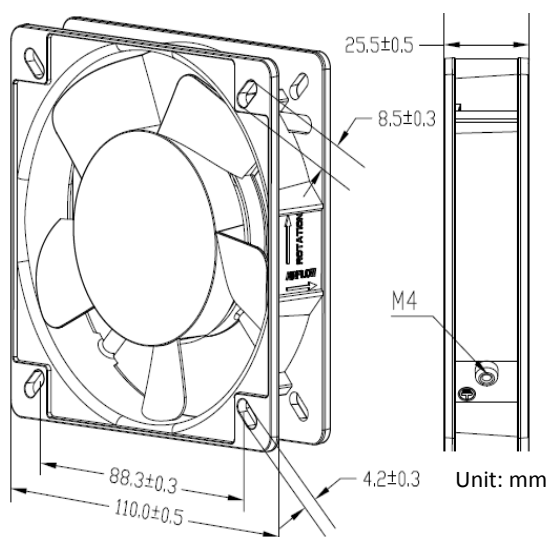
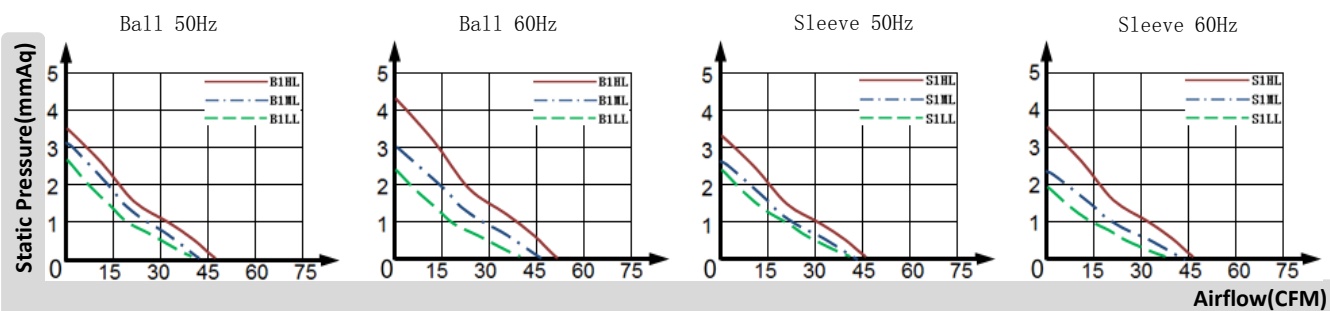
Specifications

Model	Bearing	Voltage	Frequency	Current	Power	Speed	Air Flow		Static Pressure	Noise
		VAC	Hz	A	W	RPM	CFM	m <sup>3</sup> /min	mm H <sub>2</sub> O	dB-A
11025B1HL	Ball	115	50/60	0.18/0.15	16/13	2250/2550	47/51	1.33/1.44	3.5/4.3	33/36
11025B1ML	Ball	115	50/60	0.12/0.10	10.3/8.6	2100/2200	43/46	1.22/1.30	3.1/3.0	32/33
11025B1LL	Ball	115	50/60	0.09/0.08	8.1/6.8	2000/2000	42/42	1.20/1.20	2.7/2.4	31/31
11025S1HL	Sleeve	115	50/60	0.17/0.16	16/14.3	2100/2300	46/46	1.30/1.30	3.2/3.5	32/34
11025S1ML	Sleeve	115	50/60	0.12/0.10	10.5/8.8	2000/2000	43/43	1.22/1.22	2.6/2.3	31/31
11025S1LL	Sleeve	115	50/60	0.09/0.08	8.1/7	1850/1750	42/38	1.20/1.08	2.4/1.9	28/27

All model could be customized. Please contact with YYC Sales.  
 Specifications are subject to change without notice.

Safety: CE/CCC

Air Flow-Static Pressure Characteristics



- Frame: Aluminum alloy
- Impeller: PBT Plastic
- Protected: Impedance protected
- Connection: Lead Wire
- Ball Bearing: -20 °C to +70 °C
- Sleeve Bearing: -10 °C to +70 °C
- Package: 40PCS/CTN