

110\*110\*25mm

29 ~ 51 CFM



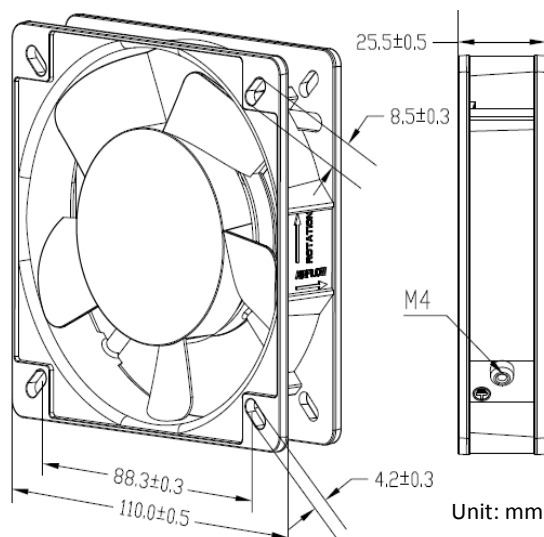
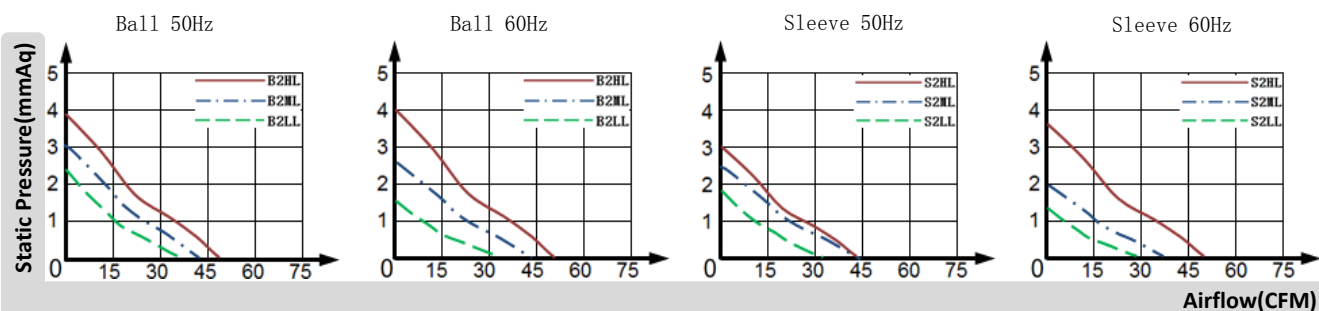
Specifications

Model	Bearing	Voltage	Frequency	Current	Power	Speed	Air Flow		Static Pressure	Noise
		VAC	Hz	A	W	RPM	CFM	m <sup>3</sup> /min	mm H <sub>2</sub> O	dB-A
11025B2HL	Ball	220-240	50/60	0.10/0.08	18/14	2250/2550	47/51	1.33/1.44	3.8/4.0	33/36
11025B2ML	Ball	220-240	50/60	0.06/0.05	10.1/8.3	2050/2000	42/42	1.20/1.20	3.0/2.5	30/30
11025B2LL	Ball	220-240	50/60	0.04/0.03	7/6	1850/1650	38/33	1.08/0.93	2.3/1.5	28/26
11025S2HL	Sleeve	220-240	50/60	0.10/0.08	18/14	2100/2300	42/52	1.20/1.47	3.0/3.6	31/33
11025S2ML	Sleeve	220-240	50/60	0.06/0.05	10/8.3	1900/1750	42/38	1.20/1.08	2.4/2.0	29/28
11025S2LL	Sleeve	220-240	50/60	0.05/0.04	8/6.8	1600/1400	33/29	0.98/0.82	1.8/1.3	26/22

All model could be customized. Please contact with YYC Sales.  
 Specifications are subject to change without notice.

Safety: CE/CCC

Air Flow-Static Pressure Characteristics



- Frame: Aluminum alloy
- Impeller: PBT Plastic
- Protected: Impedance protected
- Connection: Lead Wire
- Ball Bearing: -20 °C to +70 °C
- Sleeve Bearing: -10 °C to +70 °C
- Package: 40PCS/CTN