

120*120*25mm

47 ~ 64 CFM



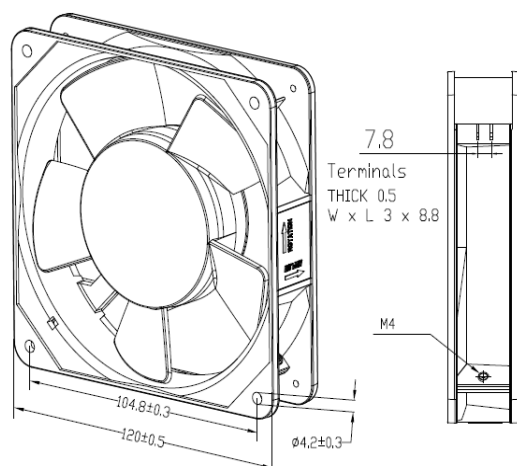
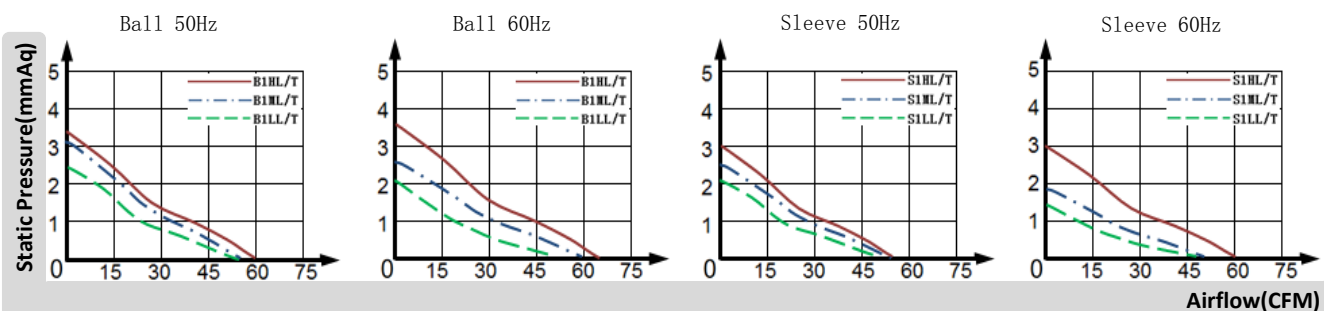
Specifications

Model	Bearing	Voltage	Frequency	Current	Power	Speed	Air Flow		Static Pressure	Noise
		VAC	Hz	A	W	RPM	CFM	m ³ /min	mm H ₂ O	dB-A
12025B1HL	Ball	115	50/60	0.18/0.15	16/13	2250/2450	60/64	1.70/1.81	3.3/3.6	34/37
12025B1HT	Ball	115	50/60	0.18/0.15	16/13	2250/2450	60/64	1.70/1.81	3.3/3.6	34/37
12025B1ML	Ball	115	50/60	0.12/0.10	10.3/8.6	2050/2100	56/60	1.44/1.70	3.1/2.6	32/33
12025B1MT	Ball	115	50/60	0.12/0.10	10.3/8.6	2050/2100	56/60	1.44/1.70	3.1/2.6	32/33
12025B1LL	Ball	115	50/60	0.09/0.08	8.2/7	2000/1900	55/51	1.56/1.44	2.6/2.1	32/31
12025B1LT	Ball	115	50/60	0.09/0.08	8.2/7	2000/1900	55/51	1.56/1.44	2.6/2.1	32/31
12025S1HL	Sleeve	115	50/60	0.17/0.15	16/13.4	2000/2150	56/60	1.44/1.70	3.0/3.0	32/33
12025S1HT	Sleeve	115	50/60	0.17/0.15	16/13.4	2000/2150	56/60	1.44/1.70	3.0/3.0	32/33
12025S1ML	Sleeve	115	50/60	0.12/0.10	10.5/9	1850/1750	55/51	1.56/1.44	2.5/1.9	30/29
12025S1MT	Sleeve	115	50/60	0.12/0.10	10.5/9	1850/1750	55/51	1.56/1.44	2.5/1.9	30/29
12025S1LL	Sleeve	115	50/60	0.09/0.08	8.2/7.1	1700/1550	51/47	1.44/1.33	2.1/1.6	28/26
12025S1LT	Sleeve	115	50/60	0.09/0.08	8.2/7.1	1700/1550	51/47	1.44/1.33	2.1/1.6	28/26

All model could be customized. Please contact with YYC Sales.
Specifications are subject to change without notice.

Safety: UL/TUV/CE/CCC

Air Flow-Static Pressure Characteristics



Unit: mm

- Frame: Aluminum alloy
- Impeller: PBT Plastic
- Protected: Impedance protected
- Connection: Lead Wire or Terminals
- Ball Bearing: -20 °C to +70 °C
- Sleeve Bearing: -10 °C to +70 °C
- Package: 40PCS/CTN