

120\*120\*25mm

38 ~ 64 CFM



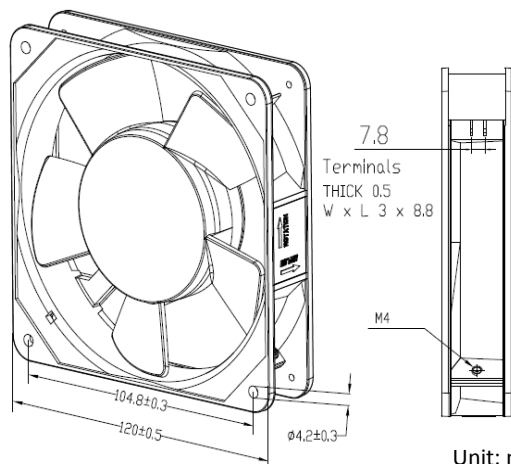
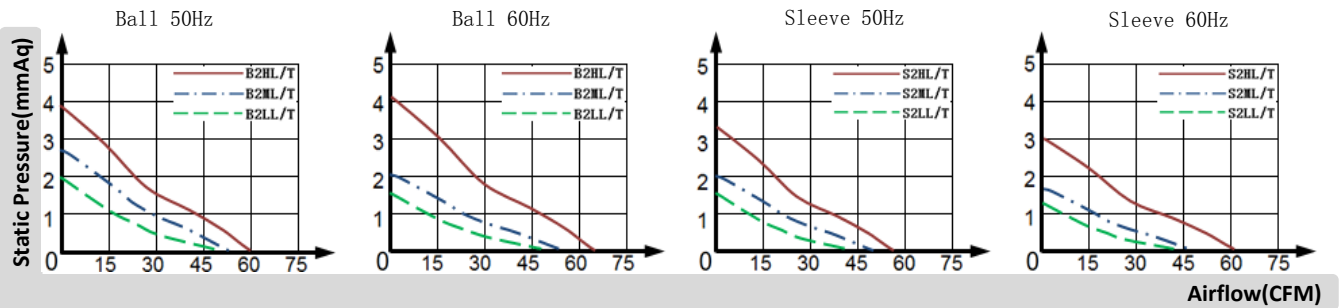
Specifications

Model	Bearing	Voltage	Frequency	Current	Power	Speed	Air Flow		Static Pressure	Noise
		VAC	Hz	A	W	RPM	CFM	m <sup>3</sup> /min	mm H <sub>2</sub> O	dB-A
12025B2HL	Ball	220-240	50/60	0.10/0.09	18/14	2250/2500	60/64	1.70/1.81	3.8/4.1	34/37
12025B2HT	Ball	220-240	50/60	0.10/0.09	18/14	2250/2500	60/64	1.70/1.81	3.8/4.1	34/37
12025B2ML	Ball	220-240	50/60	0.06/0.05	9.8/8.2	2050/2000	53/52	1.50/1.47	2.6/2.0	32/32
12025B2MT	Ball	220-240	50/60	0.06/0.05	9.8/8.2	2050/2000	53/52	1.50/1.47	2.6/2.0	32/32
12025B2LL	Ball	220-240	50/60	0.04/0.04	7.8/6.8	1850/1700	50/47	1.42/1.33	2.0/1.5	30/28
12025B2LT	Ball	220-240	50/60	0.04/0.04	7.8/6.8	1850/1700	50/47	1.42/1.33	2.0/1.5	30/28
12025S2HL	Sleeve	220-240	50/60	0.10/0.08	18/14	2250/2100	56/60	1.60/1.70	3.3/3.0	34/33
12025S2HT	Sleeve	220-240	50/60	0.10/0.08	18/14	2250/2100	56/60	1.60/1.70	3.3/3.0	34/33
12025S2ML	Sleeve	220-240	50/60	0.06/0.05	10/8.3	1800/1700	51/47	1.44/1.33	2.0/1.7	29/28
12025S2MT	Sleeve	220-240	50/60	0.06/0.05	10/8.3	1800/1700	51/47	1.44/1.33	2.0/1.7	29/28
12025S2LL	Sleeve	220-240	50/60	0.05/0.04	8.1/6.9	1600/1350	43/38	1.21/1.08	1.6/1.3	26/22
12025S2LT	Sleeve	220-240	50/60	0.05/0.04	8.1/6.9	1600/1350	43/38	1.21/1.08	1.6/1.3	26/22

All model could be customized. Please contact with YYC Sales.  
Specifications are subject to change without notice.

Safety: UL/TUV/CE/CCC

Air Flow-Static Pressure Characteristics



- Frame: Aluminum alloy
- Impeller: PBT Plastic
- Protected: Impedance protected
- Connection: Lead Wire or Terminals
- Ball Bearing: -20 °C to +70 °C
- Sleeve Bearing: -10 °C to +70 °C
- Package: 40PCS/CTN