

120\*120\*38mm

50 ~ 100 CFM



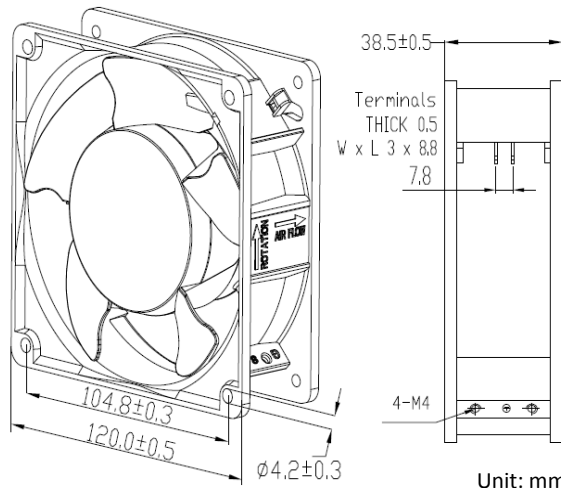
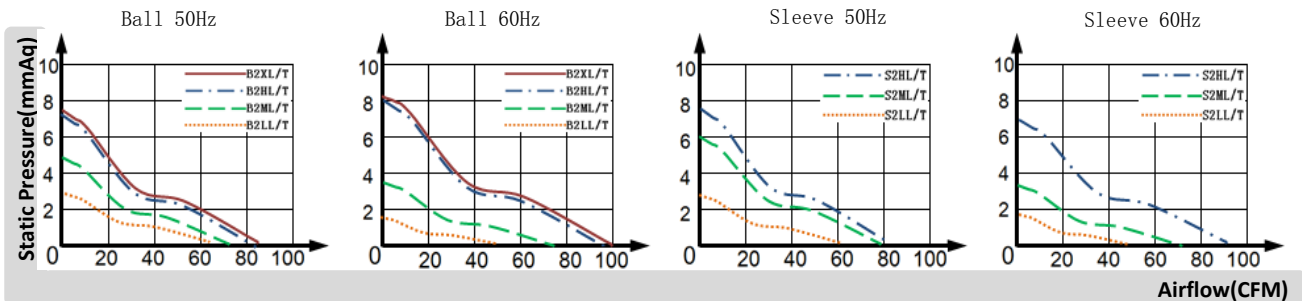
Specifications

Model	Bearing	Voltage	Frequency	Current	Power	Speed	Air Flow		Static Pressure	Noise
		VAC	Hz	A	W	RPM	CFM	m <sup>3</sup> /min	mm H <sub>2</sub> O	dB-A
12038B2XL	Ball	220-240	50/60	0.14/0.11	20/17	2700/3050	86/100	2.44/2.83	7.8/8.3	43/47
12038B2XT	Ball	220-240	50/60	0.14/0.11	20/17	2700/3050	86/100	2.44/2.83	7.8/8.3	43/47
12038B2HL	Ball	220-240	50/60	0.13/0.11	18/16	2650/2950	85/95	2.41/2.69	7.7/8.0	42/45
12038B2HT	Ball	220-240	50/60	0.13/0.11	18/16	2650/2950	85/95	2.41/2.69	7.7/8.0	42/45
12038B2ML	Ball	220-240	50/60	0.09/0.08	15/14	2300/2300	74/74	2.10/2.10	5.0/3.7	39/39
12038B2MT	Ball	220-240	50/60	0.09/0.08	15/14	2300/2300	74/74	2.10/2.10	5.0/3.7	39/39
12038B2LL	Ball	220-240	50/60	0.06/0.05	11/9	2000/1650	64/51	1.81/1.44	3.0/1.7	35/27
12038B2LT	Ball	220-240	50/60	0.06/0.05	11/9	2000/1650	64/51	1.81/1.44	3.0/1.7	35/27
12038S2HL	Sleeve	220-240	50/60	0.13/0.11	18/16	2600/2900	81/94	2.29/2.66	7.5/6.8	42/45
12038S2HT	Sleeve	220-240	50/60	0.13/0.11	18/16	2600/2900	81/94	2.29/2.66	7.5/6.8	42/45
12038S2ML	Sleeve	220-240	50/60	0.09/0.08	15/14	2400/2100	80/70	2.27/1.98	6.0/3.5	40/37
12038S2MT	Sleeve	220-240	50/60	0.09/0.08	15/14	2400/2100	80/70	2.27/1.98	6.0/3.5	40/37
12038S2LL	Sleeve	220-240	50/60	0.07/0.07	13/12	2000/1750	60/50	1.70/1.42	2.8/1.7	35/30
12038S2LT	Sleeve	220-240	50/60	0.07/0.07	13/12	2000/1750	60/50	1.70/1.42	2.8/1.7	35/30

All model could be customized. Please contact with YYC Sales. Specifications are subject to change without notice.

Safety: UL/TUV/CE/CCC

Air Flow-Static Pressure Characteristics



Unit: mm

- Frame: Aluminum alloy
- Impeller: PBT Plastic
- Protected: Impedance protected
- Connection: Lead Wire or Terminals
- Ball Bearing: -20 °C to +70 °C
- Sleeve Bearing: -10 °C to +70 °C
- Package: 40PCS/CTN