

120\*120\*38mm  
 7 Impellers  
 65 ~ 104CFM



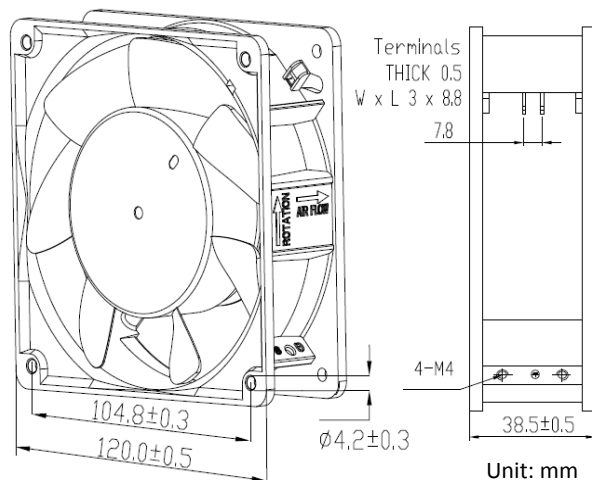
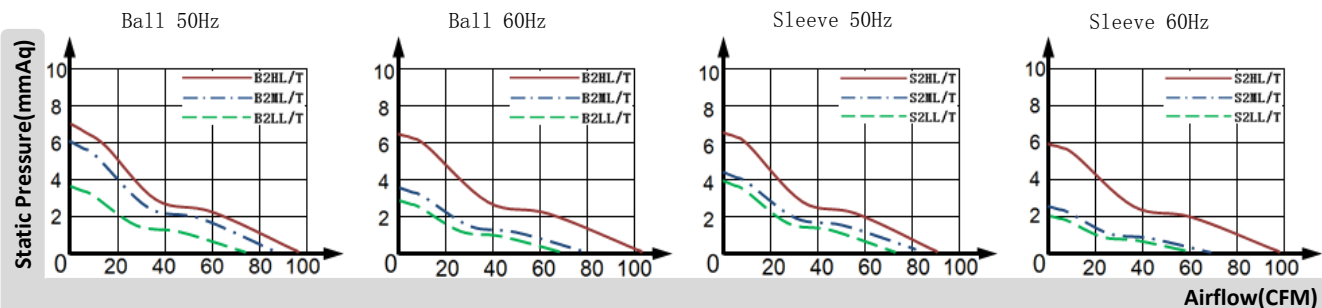
Specifications

Model	Bearing	Voltage	Frequency	Current	Power	Speed	Air Flow		Static Pressure	Noise
		VAC	Hz	A	W	RPM	CFM	m <sup>3</sup> /min	mm H <sub>2</sub> O	dB-A
12038B2HL	Ball	220-240	50/60	0.14/0.12	21/18	2550/2700	95/104	2.70/2.95	7.0/6.3	43/46
12038B2HT	Ball	220-240	50/60	0.13/0.11	21/18	2550/2700	95/104	2.70/2.95	7.0/6.3	43/46
12038B2ML	Ball	220-240	50/60	0.10/0.09	15/14	2400/2200	90/80	2.55/2.27	6.0/3.5	41/39
12038B2MT	Ball	220-240	50/60	0.10/0.09	15/14	2400/2200	90/80	2.55/2.27	6.0/3.5	41/39
12038B2LL	Ball	220-240	50/60	0.09/0.08	13/12	2100/1900	75/70	2.12/1.98	3.6/3.0	37/33
12038B2LT	Ball	220-240	50/60	0.09/0.08	13/12	2100/1900	75/70	2.12/1.98	3.6/3.0	37/33
12038S2HL	Sleeve	220-240	50/60	0.13/0.11	19/17	2500/2600	92/97	2.60/2.75	6.6/5.8	42/45
12038S2HT	Sleeve	220-240	50/60	0.13/0.11	19/17	2500/2600	92/97	2.60/2.75	6.6/5.8	42/45
12038S2ML	Sleeve	220-240	50/60	0.08/0.07	12/11	2250/1900	82/65	2.32/1.70	4.4/2.6	39/33
12038S2MT	Sleeve	220-240	50/60	0.08/0.07	12/11	2250/1900	82/65	2.32/1.70	4.4/2.6	39/33
12038S2LL	Sleeve	220-240	50/60	0.07/0.06	11/10	2050/1750	74/60	2.10/1.84	3.9/2.1	35/30
12038S2LT	Sleeve	220-240	50/60	0.07/0.06	11/10	2050/1750	74/60	2.10/1.84	3.9/2.1	35/30

All model could be customized. Please contact with YYC Sales.  
 Specifications are subject to change without notice.

Safety: UL/TUV/CE/CCC

Air Flow-Static Pressure Characteristics



- Frame: Aluminum alloy
- Impeller: PBT Plastic
- Protected: Impedance protected
- Connection: Lead Wire or Terminals
- Ball Bearing: -20 °C to +70 °C
- Sleeve Bearing: -10 °C to +70 °C
- Package: 40PCS/CTN