

172*150*51mm
 7 Impellers
 140 ~ 200 CFM



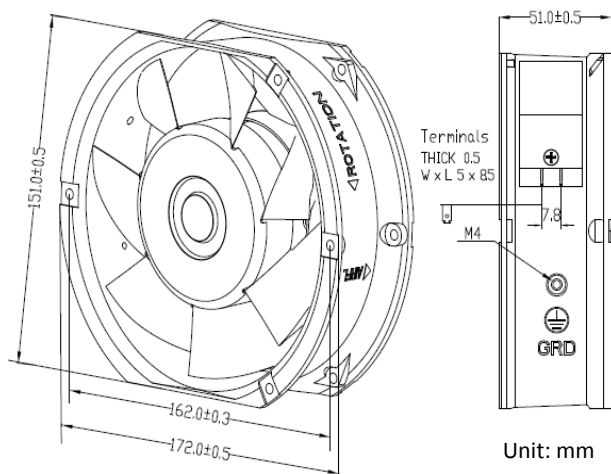
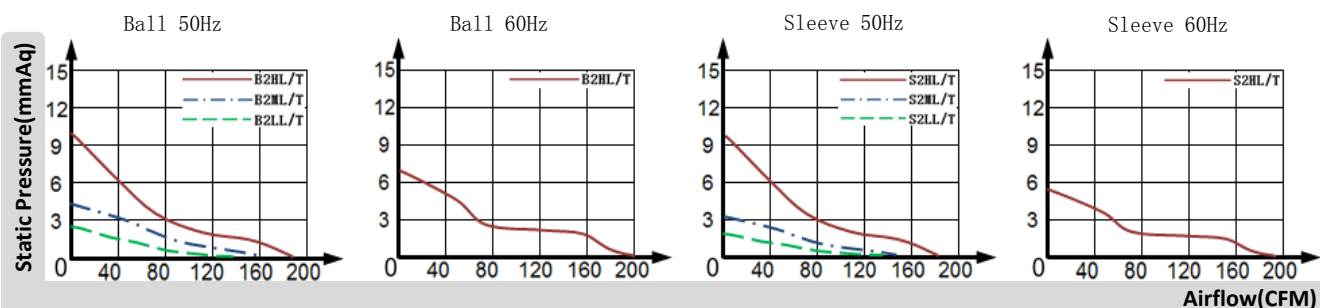
Specifications

Model	Bearing	Voltage	Frequency	Current	Power	Speed	Air Flow		Static Pressure	Noise
		VAC	Hz	A	W	RPM	CFM	m ³ /min	mm H ₂ O	dB-A
15050B2HL	Ball	220-240	50/60	0.31/0.26	42/37	2700/3000	187/200	5.30/5.67	9.5/7.0	57/61
15050B2HT	Ball	220-240	50/60	0.31/0.26	42/37	2700/3000	187/200	5.30/5.67	9.5/7.0	57/61
15050B2ML	Ball	220-240	50	0.15	22	2450	162	4.60	4.1	53
15050B2MT	Ball	220-240	50	0.15	22	2450	162	4.60	4.1	53
15050B2LL	Ball	220-240	50	0.13	19	2150	150	4.25	2.6	49
15050B2LT	Ball	220-240	50	0.13	19	2150	150	4.25	2.6	49
15050S2HL	Sleeve	220-240	50/60	0.31/0.27	42/39	2650/2900	183/195	5.19/5.52	9.5/5.2	56/59
15050S2HT	Sleeve	220-240	50/60	0.31/0.27	42/39	2650/2900	183/195	5.19/5.52	9.5/5.2	56/59
15050S2ML	Sleeve	220-240	50	0.17	26	2350	155	4.39	3.2	52
15050S2MT	Sleeve	220-240	50	0.17	26	2350	155	4.39	3.2	52
15050S2LL	Sleeve	220-240	50	0.15	22	2000	140	3.97	2.0	46
15050S2LT	Sleeve	220-240	50	0.15	22	2000	140	3.97	2.0	46

All model could be customized. Please contact with YYC Sales.
 Specifications are subject to change without notice.

Safety: UL/TUV/CE/CCC

Air Flow-Static Pressure Characteristics



Unit: mm

- Frame: Aluminum alloy
- Impeller: PBT Plastic
- Protected: Impedance protected or Thermally protected
- Connection: Lead Wire or Terminals
- Ball Bearing: -20 °C to +70 °C
- Sleeve Bearing: -10 °C to +70 °C
- Package: 20PCS/CTN